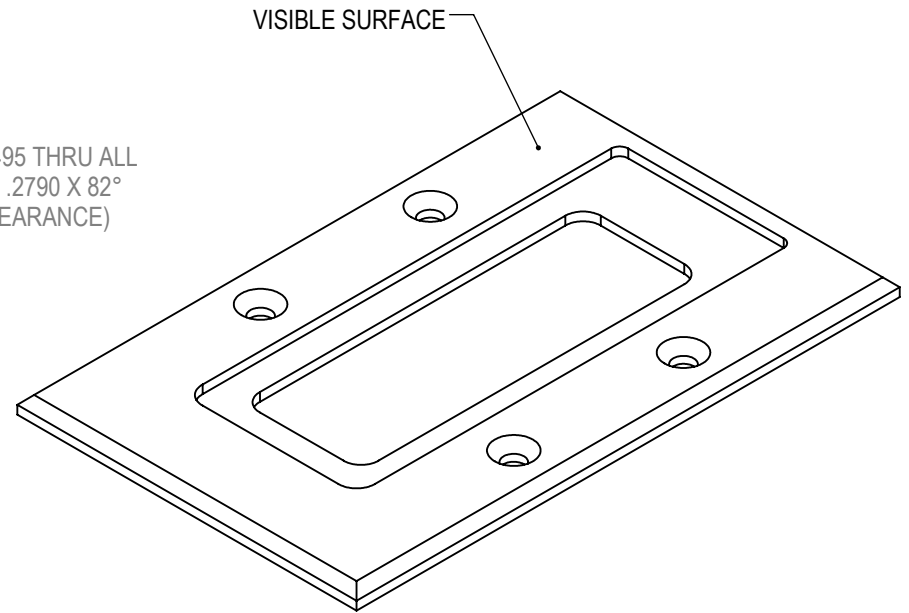
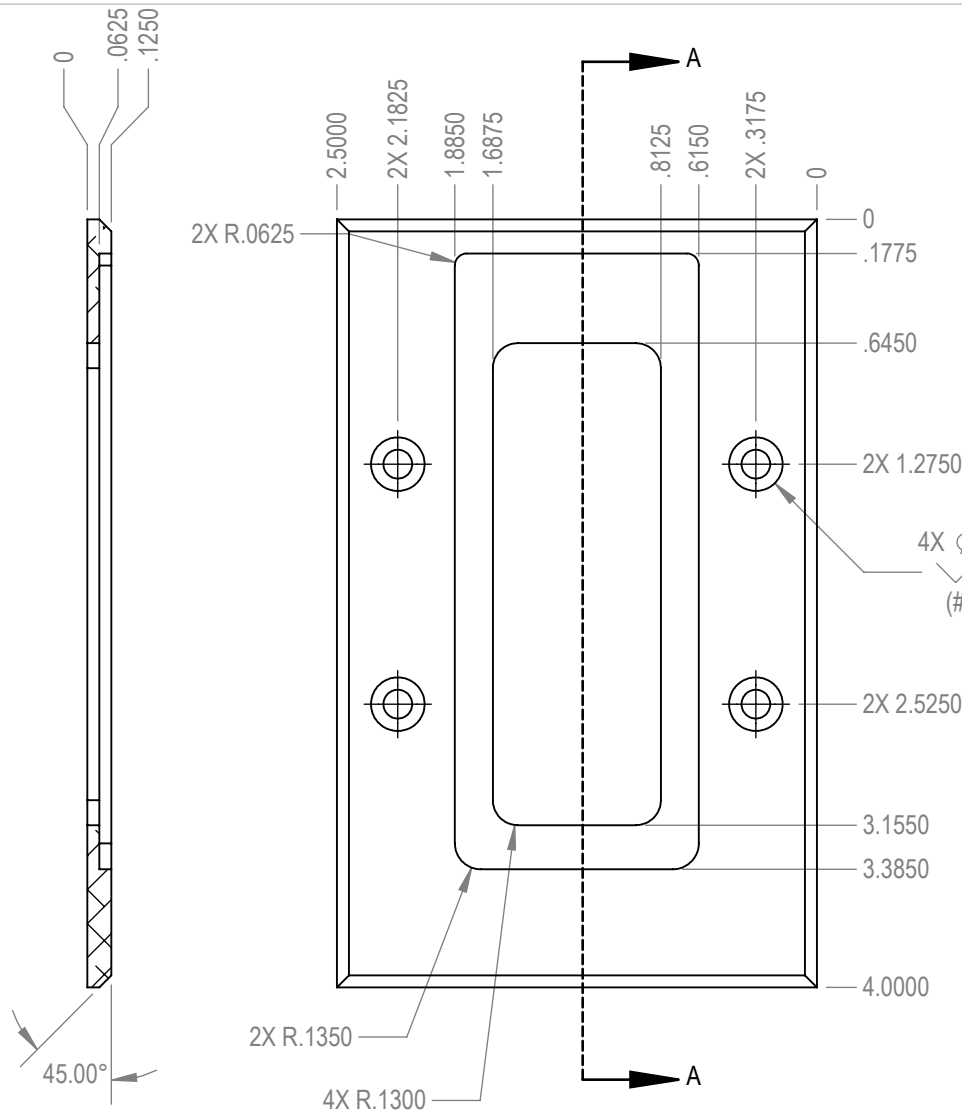


REV.	DESCRIPTION	DATE	DRAWN
A	INITIAL RELEASE	8/10/2016	CAP



**FINISH: BRIGHT DIP BLACK
DO NOT DISTORT PART**

UNLESS OTHERWISE SPECIFIED:
UNITS ARE IN INCHES AND
TOLERANCES ON DIMENSIONS
ARE IN INCHES
.X = ±.03
.XX = ±.01
.XXX = ±.005
DEG. = ±1°
X/X = ± 1/16

PROPRIETARY AND CONFIDENTIAL
THE INFORMATION CONTAINED IN THIS
DRAWING IS THE SOLE PROPERTY OF
DEPOTSTAR. ANY REPRODUCTION IN
PART OR AS A WHOLE WITHOUT THE
WRITTEN PERMISSION OF DEPOTSTAR IS
PROHIBITED.

DRAWN:	CAP	PROJECT:	AOA
DATE:	9/19/2016	TITLE:	AOA-9084 (VALKYRIE BASE ADAPTOR PLATE)
SHEET:	1		
SCALE:	1:1		
SIZE:	A		
QUANTITY:		PART #	AOA-9084 (Valkyrie Base Adaptor Plate)
MATERIAL:	6061 ALUM		A

5

4

3

2

1